

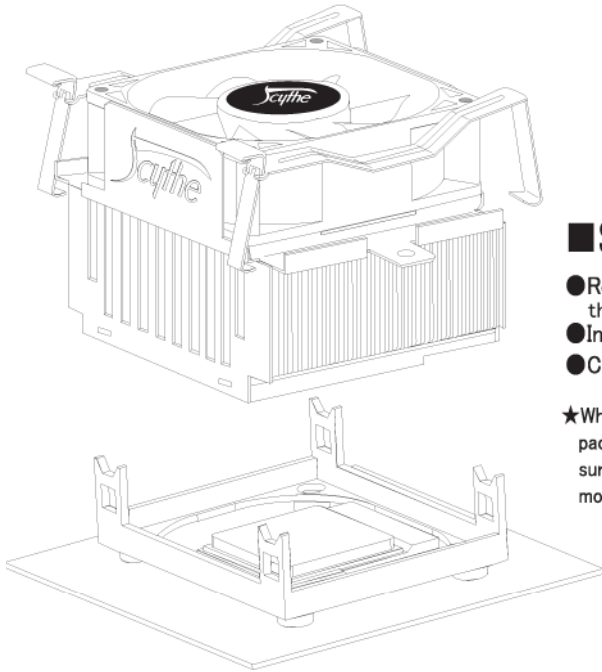
Kama CPU Cooler Installation Guide

Kama CPU Cooler is compatible with Socket478, Socket754, Socket940

【 Caution 】

Please make sure to turn off your PC & unplug the powercord when installing this CPU cooler.
To prevent damage on the heatsink, CPU, and/or the motherboard, please read this installation guide CAREFULLY before the installation.

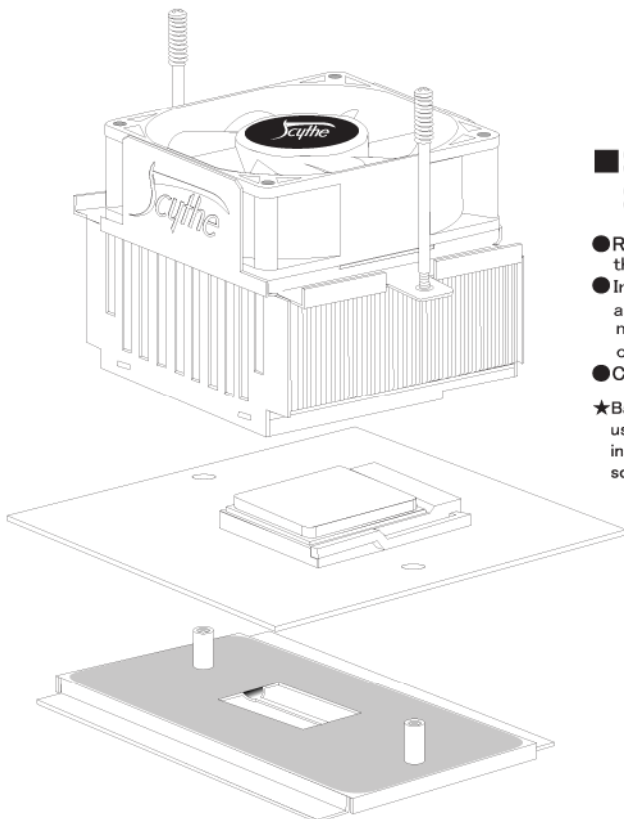
Package Contains			
Items List	Quantity	Items List	Quantity
CPU Cooler (Heatsink)	1pc	Screws for Socket 754 & 940	2pcs
Retention Bracket for Socket 478	2pcs	Thermal Compound	1pc



■ Socket478 CPU

- Remove the protection film from the heatsink base, and evenly apply the thermal compound onto the entire surface of the CPU core.
- Install the retention bracket (For Socket 478) onto the heatsink as shown left.
- Connect the fan sensor wire to the motherboard

★ When attaching the retention bracket (For socket 478, supplied in this package) onto the retention bracket (Mounted on motherboard), please make sure to align the clip into the hole of the retention bracket (Mounted on motherboard) in order to avoid damaging the CPU core.



■ Socket754 (Athlon64) CPU Socket940 (Opteron) CPU

- Remove the protection film from the heatsink base, and evenly apply the thermal compound onto the entire surface of the CPU core.
- Insert the screws (For Socket 754 & 940) into the holes located at the both sides of the heatsink as shown left. Turn screws clockwise (for both sides) in order to secure the heatsink. Please make sure to turn the screws gently and evenly (for both sides), and avoid over-tightening as it could damage the screw head or screw holes.
- Connect the fan sensor wire to the motherboard

★ Backplate for the CPU heatsink/fan does not come with this package. Please use the backplate supplied with the CPU or the motherboard for the installation. If the backplate is not equipped with the holes for mounting screws, please purchase the backplate separately.