

# Technical Data Sheet



## PRODUCT: ACF3007-XXX 30mm Ultra-soft Case Feet [UL94-HB]

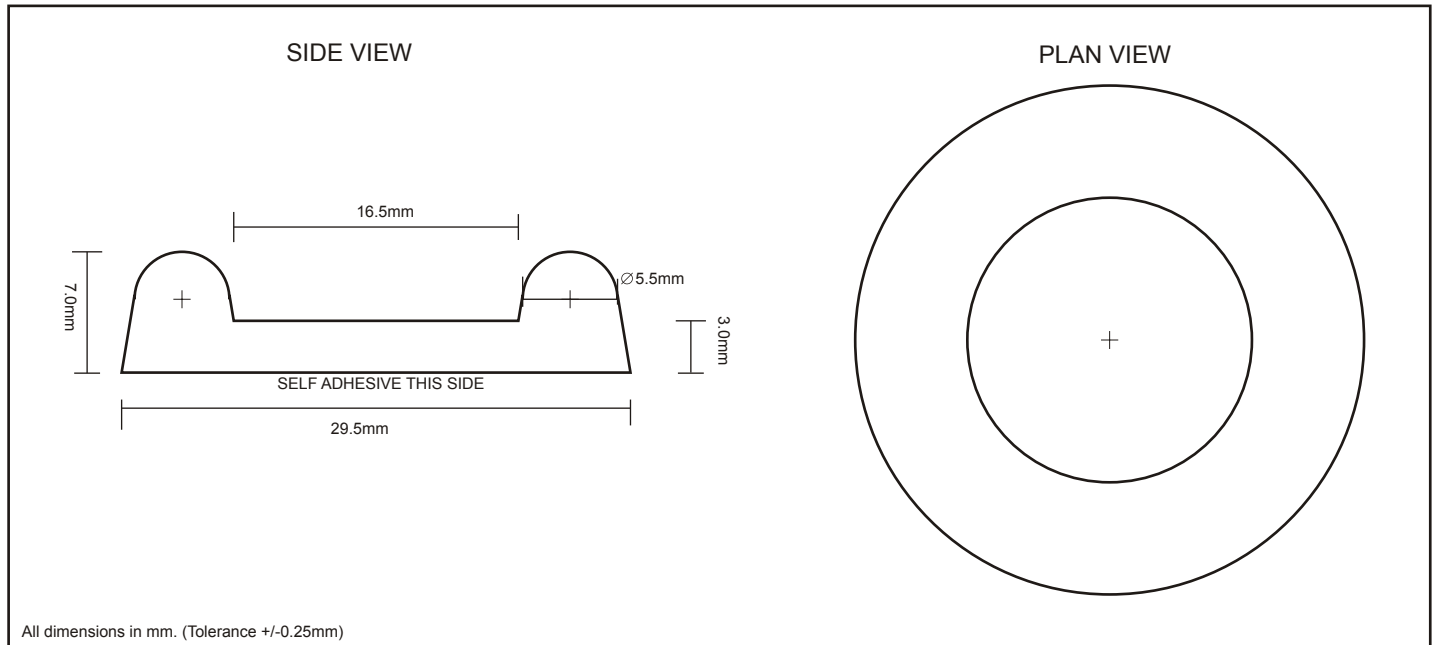
Rev. 1.01 05 June 2007

### PRODUCT DESC:

The AF3007-XXX is a 30mm diameter 7mm high low profile ultra-soft case foot, manufactured as a set of 4 feet (see Kit Parts List). The set of feet are designed to isolate and attenuate vibration transmission between a case (such as a PC or set-top box) and the substrate on which the case sits (such as a table, or surface). The ultra-soft silicone rubber polymer is resistant to both high and low temperatures, and non-marking. Each foot is 'kiss-cut', and as such quickly and easily manually detached from the set for placement. The underside of each foot is coated with an acrylic self-adhesive for permanent application to the case.

Feet are available in a number of softnesses (Shore A), differing ultra-soft polymers, and colours (see Part Numbering Scheme).

### TECH DRAWING:



### MATERIAL PROPERTY DATA: [UL94-HB]

**Material Code:** SEKE951U  
**Short Description:** Silicone Elastomer [UL94-HB]  
**Long Description:** A temperature resistant, non-marking, heat-cured silicone elastomer compound.

Physical Properties		
<b>Compound Properties:</b>	Appearance (without colourant): Specific Gravity (23°C): Odour: Chemical Identification:	Milk White/Translucent 1.14 Odourless Organopolysiloxane Mixture
<b>Mechanical Properties:</b> Test Method: JIS K6249 [Press cure 10min @ 165°C, Post cure 4Hrs @ 200°C]	Hardness: (Durometer A) Tensile Strength: Mpa {kgf/cm <sup>2</sup> } Elongation: % Tear Strength (Angle Piece): N/mm {kgf/cm} Compression Set: % (after ageing 22hrs @ 180°C) Linear Shrinkage: %	52 8.2 {83.6} 325 23 {23} 11 3.9
Environmental Properties		
Normal Operating Temperature Range: Storage Temperature Range:	Min. -20°C - Max. +70°C Min. -30°C - Max. +80°C	
Flammability Properties		
UL Classification (Silicone Rubber):	UL94-HB (MIN. Thk. 0.75mm) Ref: QMFZ2.E174951	
Self-Adhesive Properties		
Manufacturer: 3M Part Number: No. Y-9448HK	Carrier: Adhesive Type:	Non-woven Acrylic (double-sided)
Health & Safety Classifications		
RoHS (Silicone Rubber Raw Material):	PASS (EU Directive 2002/95/EC) [Testing by SGS, Ref: CE/2005/42760]	

The data in this product specification are typical values based on tests independently conducted either by third parties or by the manufacturer. They are indicative only of the results obtained in such tests and should not be considered as guaranteed maximums or minimums. Materials must be tested under actual application to determine their suitability for a particular purpose.

# Technical Data Sheet

**PRODUCT:** ACF3007-XXX 30mm Ultra-soft Case Feet [UL94-HB]

## PART NUMBERING SCHEME:

EXAMPLE:

**ACF 3007 - 25B Desc. [UL94-HB]**

1      2a   2b      3   4   5      6

1. Product Type: ACF = Acousti Case Feet
- 2a. Individual Foot Diameter (rounded to nearest mm)
- 2b. Individual Foot Height (rounded to nearest mm)
3. Product Polymer Softness (Shore A Scale):  
HARDNESS OPTIONS - 15, 20, 25, 30
4. Product Colour:  
COLOUR OPTIONS - B / C / R / BE / G / Y / W = Black / Clear or Translucent / Red / Blue / Green / Yellow / White
5. OPTIONAL - Product Short Description
6. OPTIONAL - Product Flammability Specification:  
UL94-HB (Horizontal Burn)  
UL94-VX (Vertical Burn, Plastics, X = V0, V1, V2)  
UL94-HFX (Horizontal, Foamed Product, X = 1 , 2)

## KIT PART LIST:

OEM Kit Contents	Retail Kit Contents
4 x Silicone Rubber Case Feet Packaging: No packaging - supplied as 'push-out' parts on a 67x67mm footprint	4 x Silicone Rubber Case Feet Packaging: Trade name "AcoustiFeet" in Retail Blister package 130x103mm

## APPLICATION CONSIDERATIONS:

1. Acousti Products will not guarantee the performance of the products if the application condition falls outside the parameters set forth in the specification.
2. A written request should be submitted to Acousti Products prior to approval if deviation from this specification is required.
3. Please exercise caution when handling products. Damage may be caused if excess stress is applied to the products.
4. Except as pertains to some special designs, there is no guarantee that the products will be free from any such safety problems or failures as caused by the introduction of dust, powder, paint, or oils.
5. It is very important to establish the correct fitting of products. Products may not function as designed or specified if incorrectly fitted.
6. Products are not suitable where any corrosive fluids are introduced to their environment.
7. Please ensure all products are stored according to the storage temperature limits specified. Do not store products in a high temperature environments. We highly recommend performance testing is conducted before shipping, if the products have been stored over 12 months.
8. Except where specifically stated, all tests are carried out at relative (room ambient) temperatures and humidity conditions

The data in this product specification are typical values based on tests independently conducted either by third parties or by the manufacturer. They are indicative only of the results obtained in such tests and should not be considered as guaranteed maximums or minimums. Materials must be tested under actual application to determine their suitability for a particular purpose.